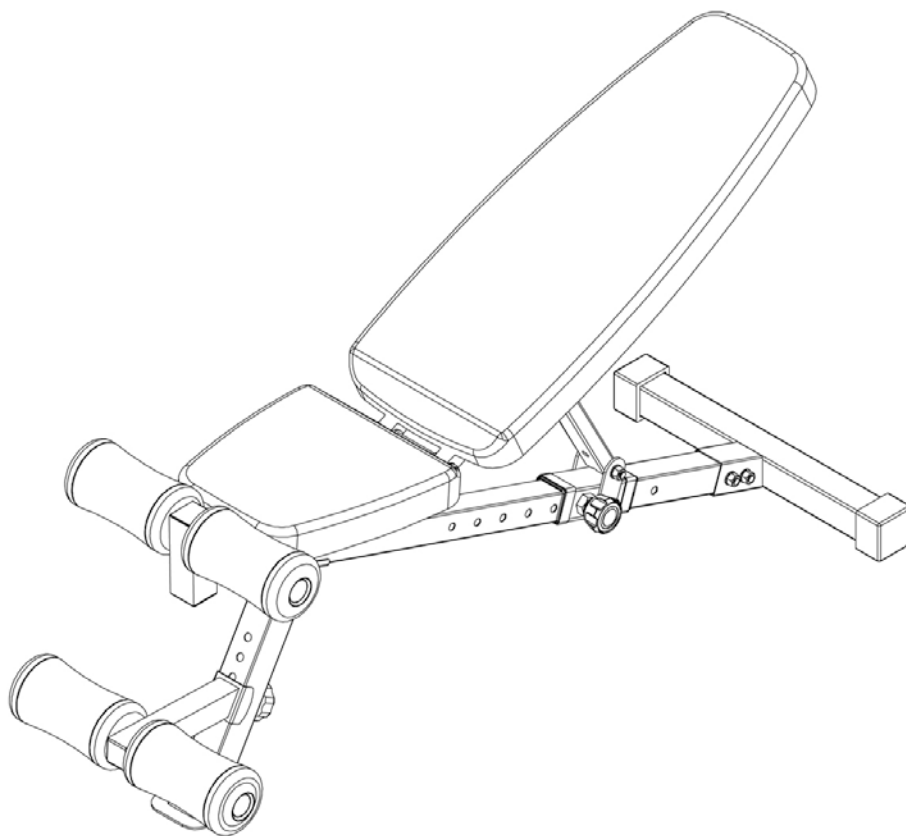


# MARCY®

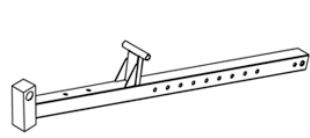
## DELUXE UTILITY BENCH SB-512



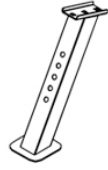
**IMPORTANT:** Please read the Important Safety Notice and Assembly Information in the Owner's manual before assembling this product.

**Assembly Manual**

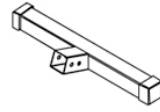
130719



① × 1



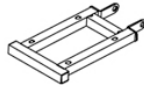
② × 1



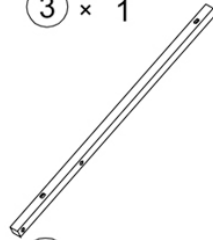
③ × 1



④ × 1



⑤ × 1



⑥ × 2



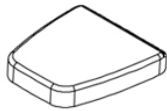
⑦ × 1



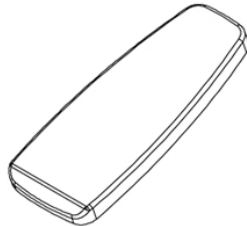
⑧ × 1



⑨ × 2



⑩ × 1



⑪ × 1



⑫ × 1



⑬ × 4



⑭ × 1



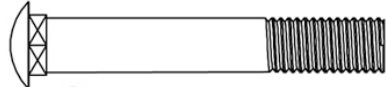
⑮ × 4



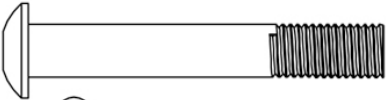
⑰ × 1



23 x 8



27 x 2

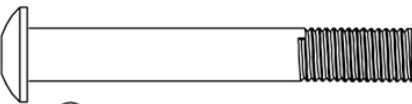


24 x 2

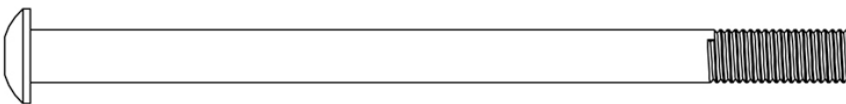


5# x 1

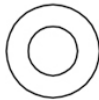
6# x 1



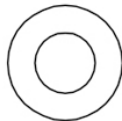
25 x 1



26 x 2



28 x 8



29 x 12

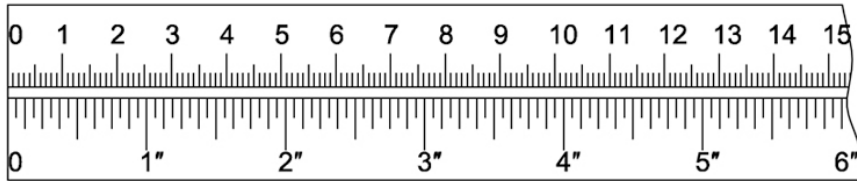


30 x 7



22 x 2



mm

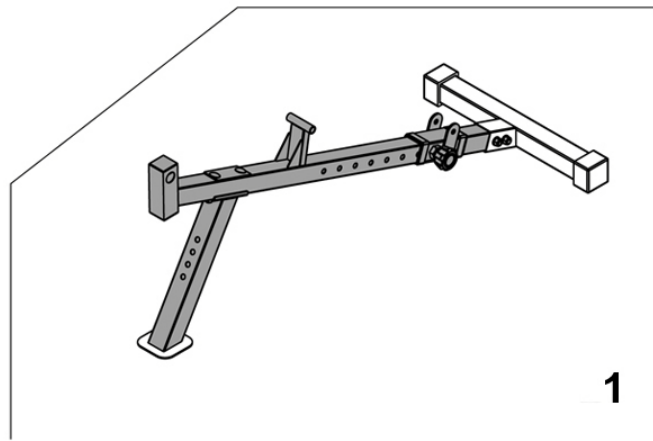
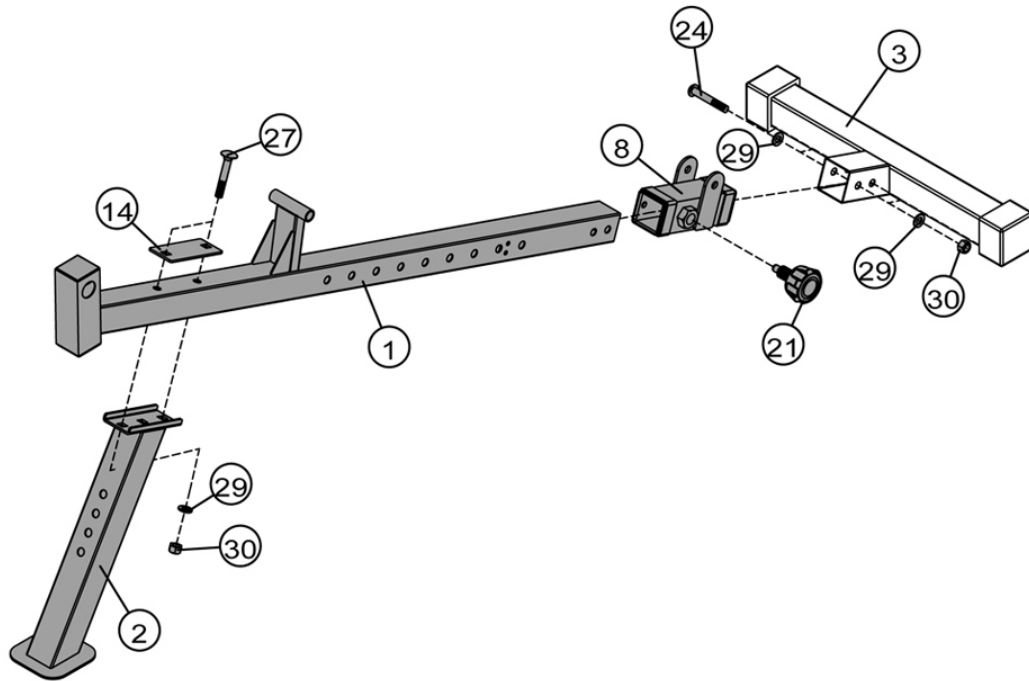


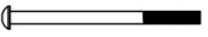



(27)  × 2 M10×2½"

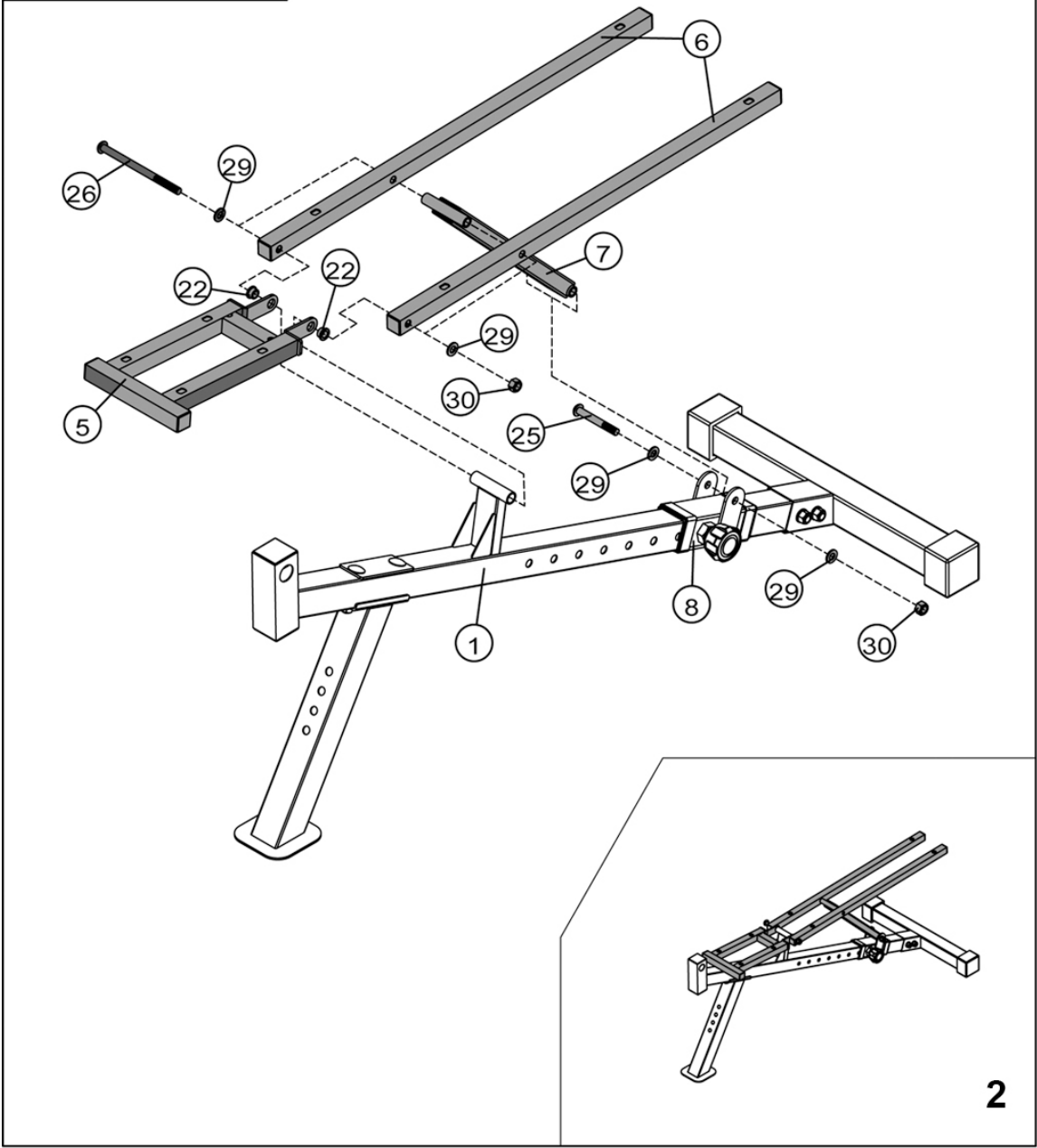
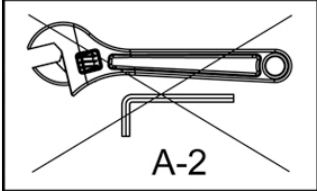
(29)  × 6  $\varnothing$  ¾"

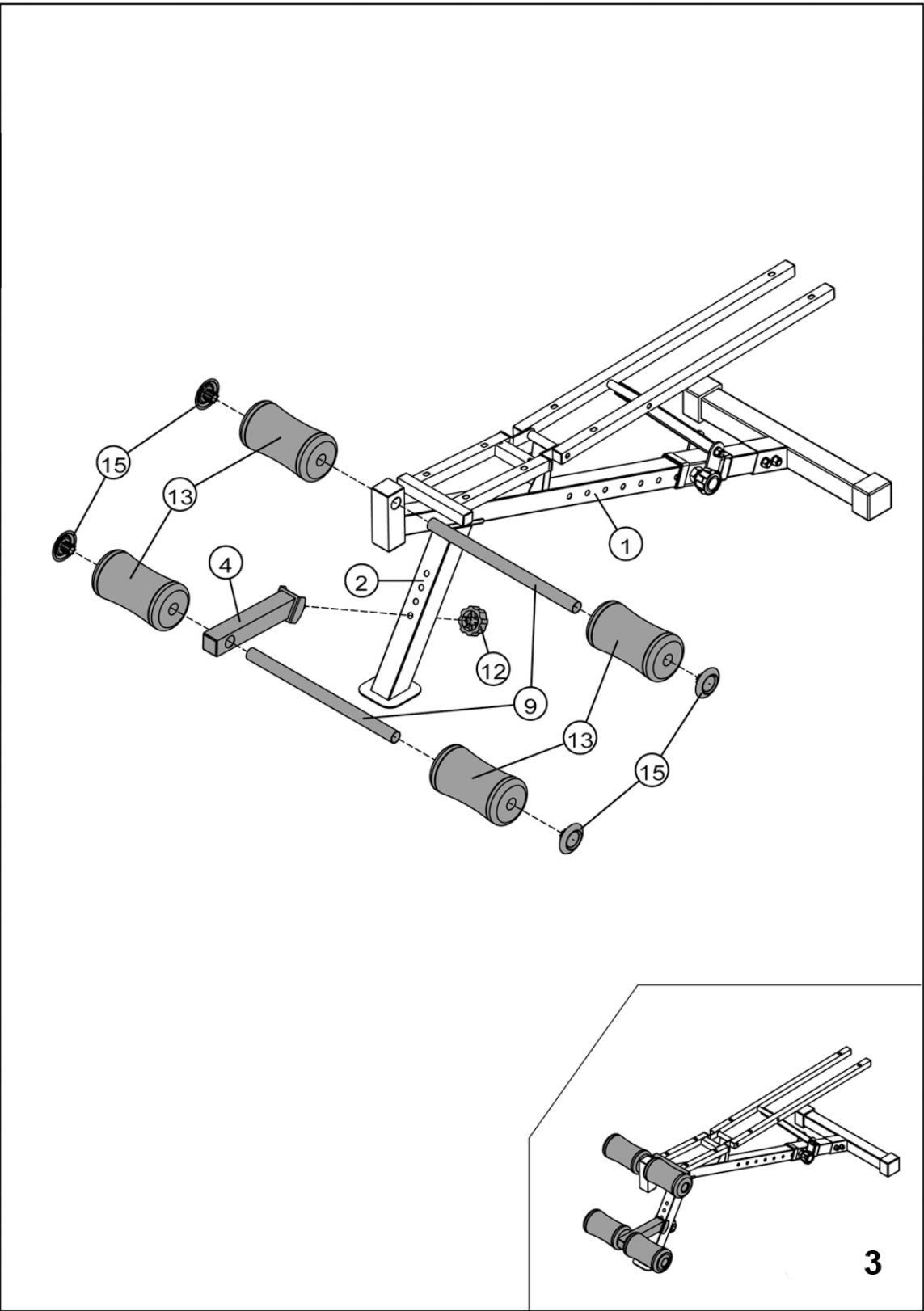
(24)  × 2 M10×2½"

(30)   × 4 M10



(26)		x 2	M10x5 7/8"	(30)		x 3	M10
(25)		x 1	M10x2 3/4"	(29)		x 6	Ø 3/4"



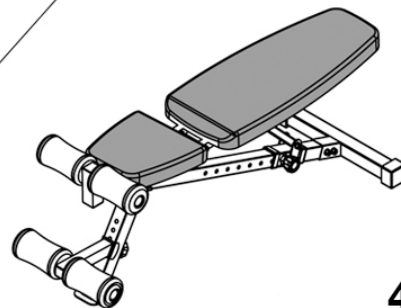
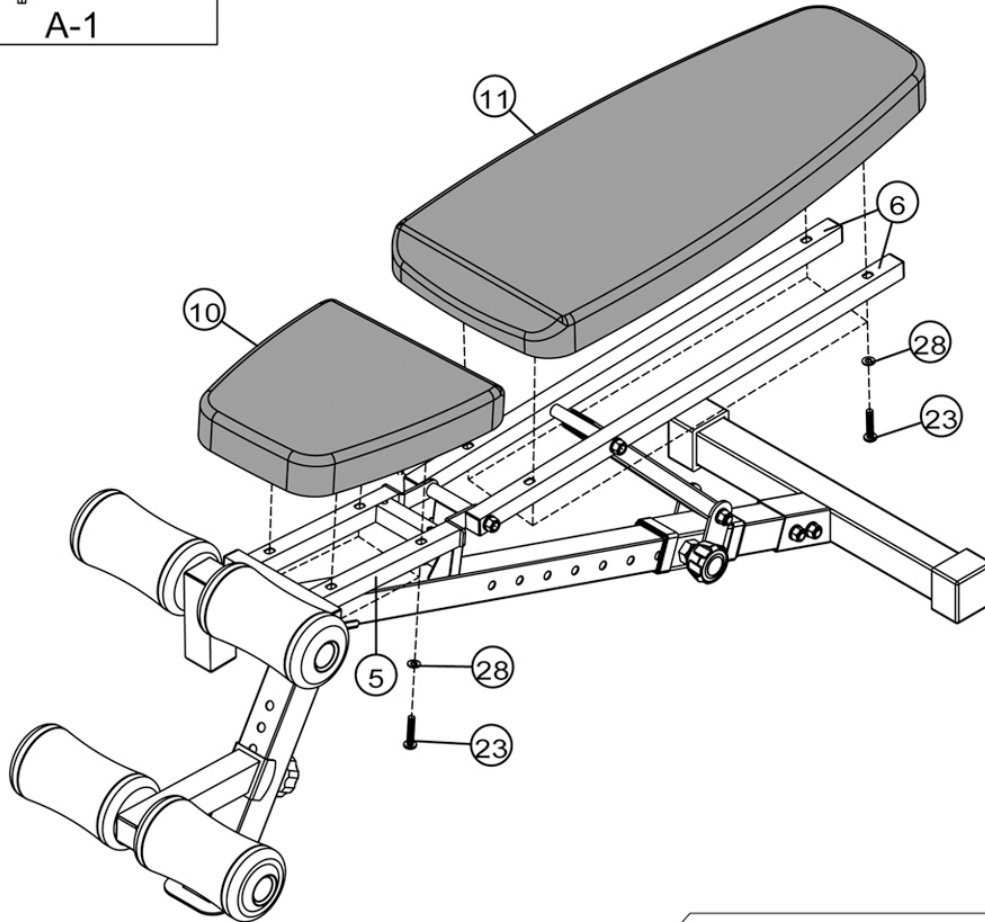


23  × 8 M8×1 5/8"

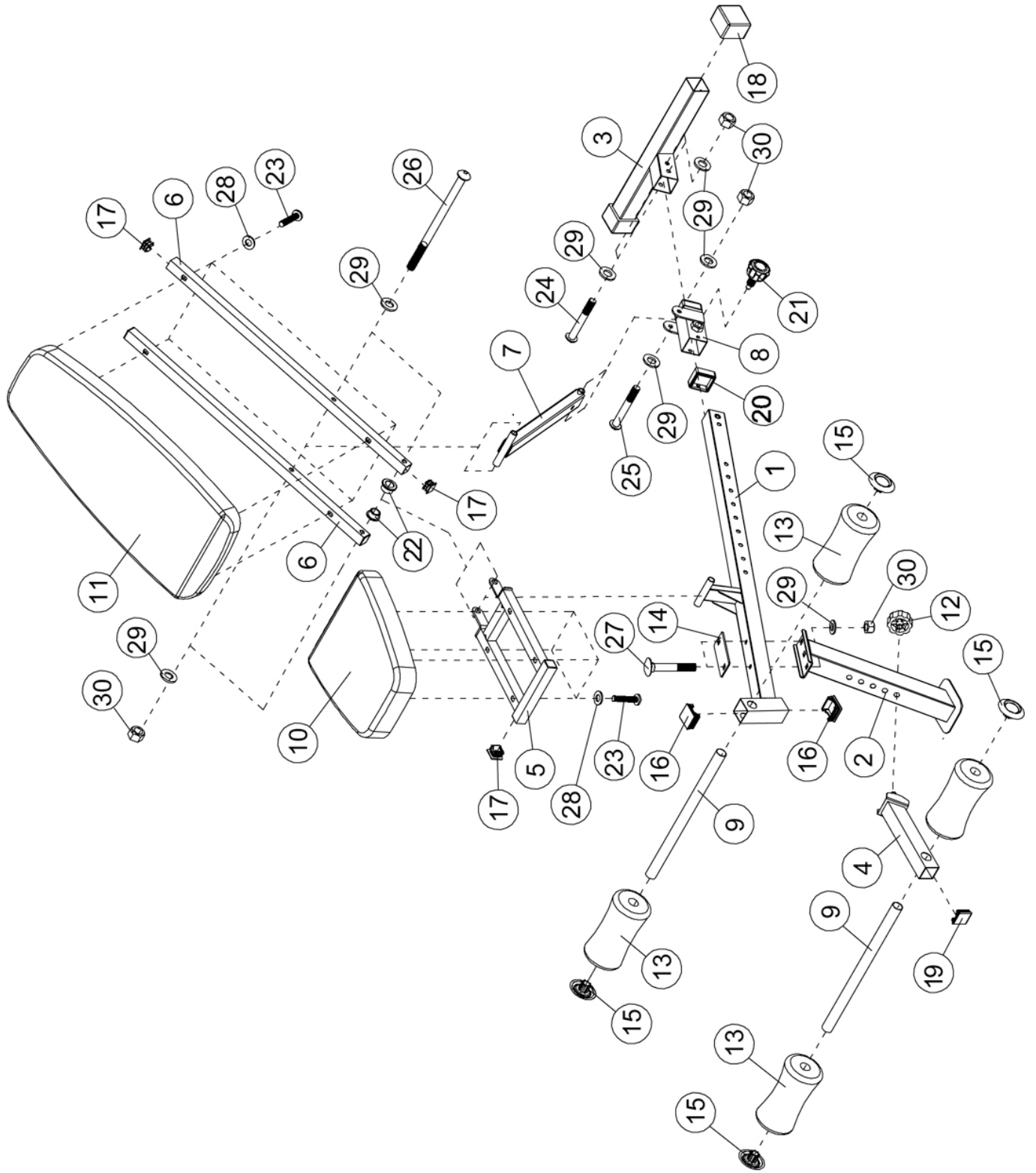
28  × 8 Ø 5/8"



A-1



4





**IMPEX® INC.**

2801 S. Towne Ave, Pomona, CA 91766

Tel: (800) 999-8899 Fax: (626) 961-9966

**[www.impex-fitness.com](http://www.impex-fitness.com)**

**[info@impex-fitness.com](mailto:info@impex-fitness.com)**